

Twenty-four channel Pneumatic Actuator Controller



<p>Features</p>	<ul style="list-style-type: none"> • Twenty-four independent switched 24 VDC outputs for level controlled pneumatic actuator solenoids • Dual limit switch inputs for each channel with LED position indication • Full remote control via RS-232, USB or fast serial fiber optic • Individual manual override capability for each channel.
<p>Applications</p>	<ul style="list-style-type: none"> • Multiple actuator systems. • General 24 V solenoid switching applications

Specifications

<p>Number of channels</p>	<p>24</p>
<p>Output</p>	<p>+ 24V DC switched</p>
<p>Maximum switched current</p>	<p>75 mA per channel with all outputs on. 100 mA maximum per channel (built-in fuse rating)</p>
<p>Limit switch inputs</p>	<p>Two per channel (extended and retracted limits) Opto-isolated, switch inputs to ground to activate. +24 V outputs to switches limited by 5 kohm.</p>
<p>Power input</p>	<p>+24V (+/- 2V) DC, 2.5 A maximum. Standby current (no actuators driven), 200 mA</p>



Specifications (continued)

- Controls
 - Auto / manual locking toggle switch for each channel, front panel
 - Actuator in / out switch for each channel, front panel
 - Two rotary switches for loop address and comms mode/ baud rate, rear panel
- Displays
 - In limit switch made LED (each channel)
 - Out limit switch made LED (each channel)
 - Auto mode selected LED (each channel)
 - Manual mode selected LED (each channel)
 - Status LEDs (power, device status, comms mode, data transmission rcv/ xmit), rear panel.



- Case
 - Stainless steel sheet, aluminium alloy front panel
 - 19" rack mounting, 2U high.
- Weight
 - 3.6kg (8.0 lb).
- Operating environment
 - Temperature 10 to 35C
 - Humidity < 70%, non-condensing
 - Vibration < 0.2g all axes (1 to 1000Hz)
- Shipping and storage environment
 - Temperature -10 to 50C,
 - Humidity < 80%, non-condensing
 - Vibration < 2g all axes, 1 to 1000Hz

Interfacing

- Interfaces
 - RS-232, 8-bit ASCII. Selectable baud rate.
 - USB, 8-bit ASCII 3 Mbit/sec
 - Fiber-optic loop, 10 Mbit/sec serial, 9-bit asynchronous binary. Ethernet connection to host through A300 or A500 loop controllers.
- Host computer
 - ASCII communications based on SCPI. Diagnostic host program supplied for Microsoft® .net framework. DLLs available for Microsoft® .net, National Instruments™ Labview™ and Microsoft® C++.



Connectors

Actuator control
(24 identical)

9 pin D female

1	Switched 24 VDC out	6	+24 V return
2	n/c	7	Limit "In" opto input
3	+24 V return	8	n/c
4	n/c	9	Limit "Out" opto input
5	+24 V return		

USB

USB B type female.

RS-232

Six pin mini-DIN ("PS/2")

1	Tx	4	n/c
2	Rx	5	n/c
3	Gnd	6	n/c

Fiber optics

Two 1mm Avago HFBR ST bayonet

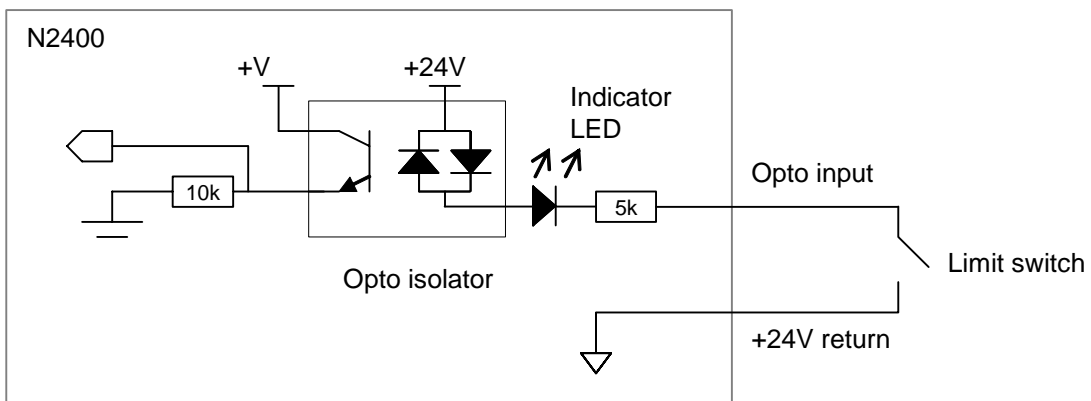
Power in

2.1mm threaded jack. Mates with Switchcraft S761K or equivalent.

Ground

M4 threaded stud

Limit switch circuit configuration



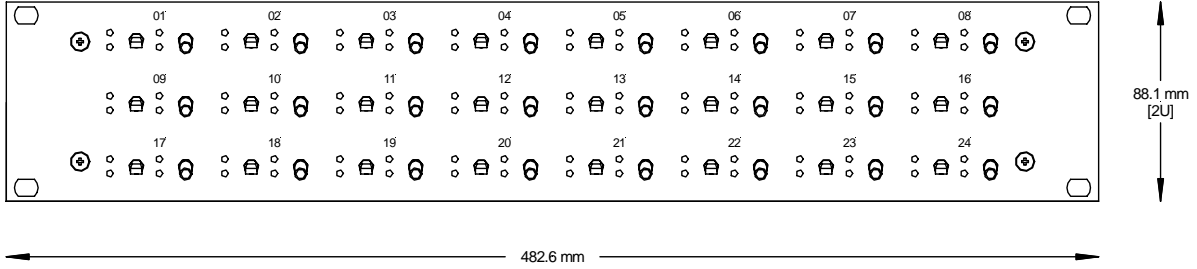
Ordering information

N2400

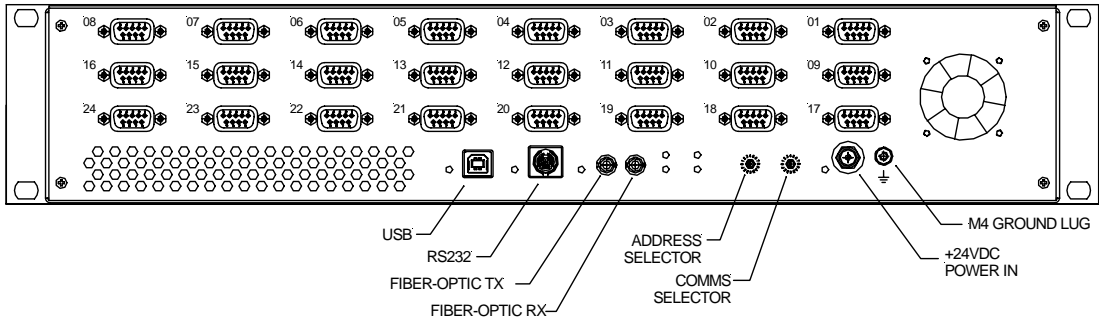
N2400 twenty-four channel actuator controller with user manuals, software drivers, PSI Diagnostic host software.



FRONT



REAR



Dims mm

Pyramid Technical Consultants, Inc.,
1050 Waltham, Street Suite 200
Lexington, MA 02421 USA
Tel: +1 781 402 1700 (USA),
+44 1273 493590 (UK)

Email: support@ptcusa.com

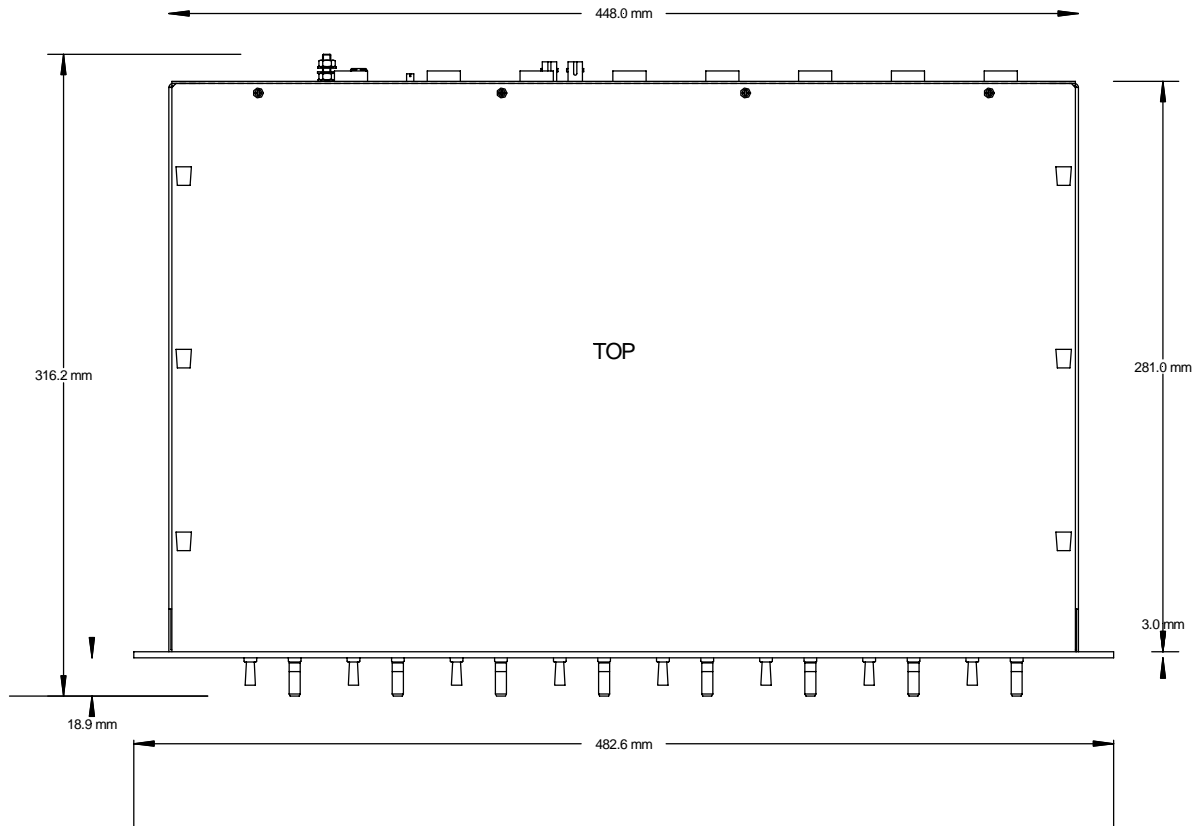
www.ptcusa.com

The information herein is believed accurate at time of publication, but no specific warranty is given regarding its use. All specifications are subject to change.

All trademarks acknowledged

N2400_DS_080110





Dims mm

